

# ASSEMBLY INSTRUCTION

---

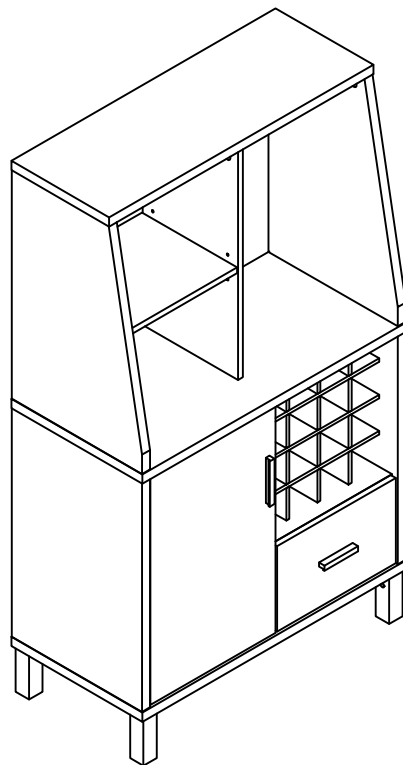
## **PLEASE READ BEFORE ASSEMBLING!**

Tip #1: Make sure you've taken all the pieces and hardware out of its packaging before discarding the box.

Tip #2: Using page 2 and/or page 3 of instruction manual make sure all pieces and hardware are accounted for.

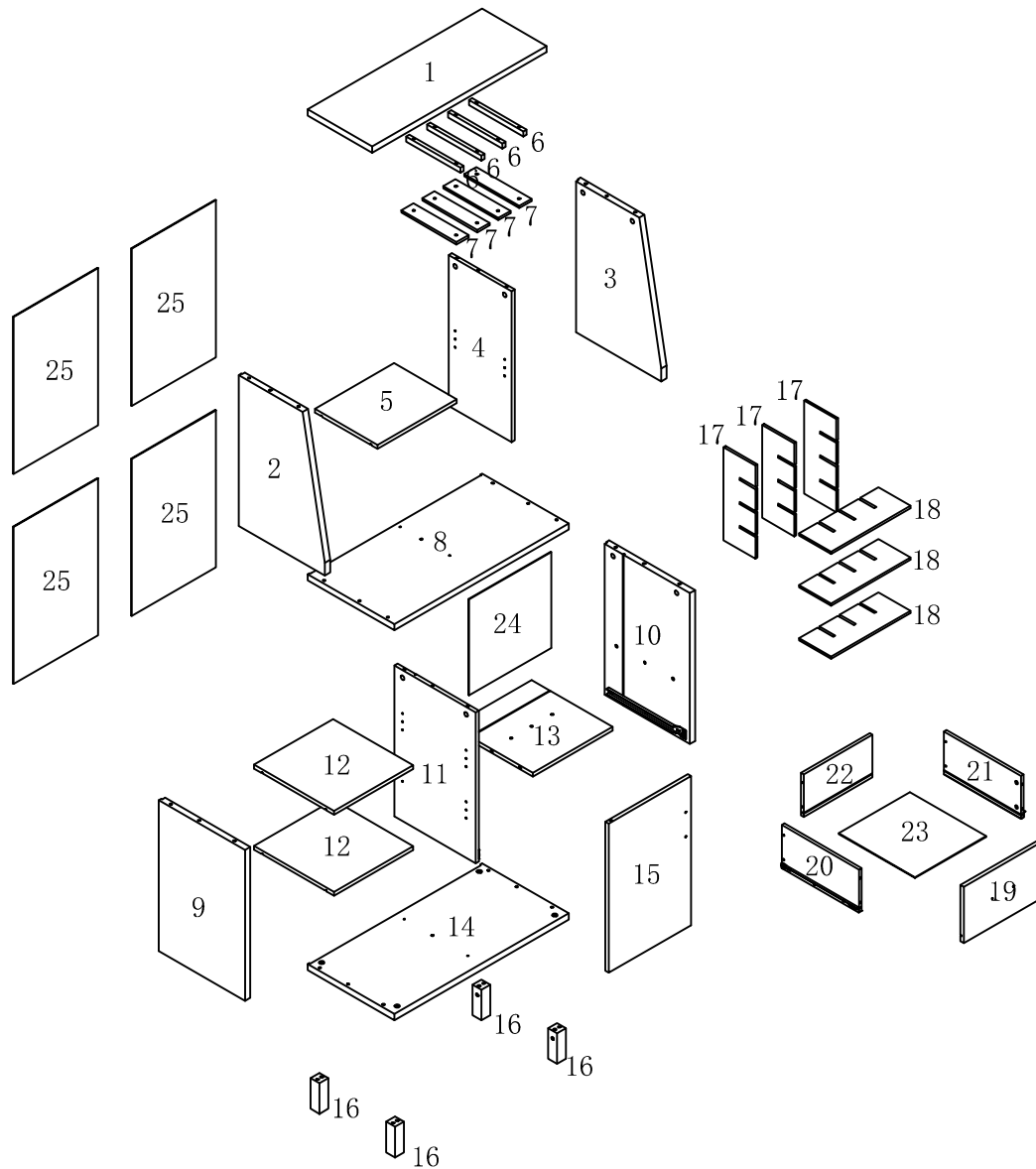
Tip #3: Read manual before assembling, it helps!

ITEM#: 182352



# PARTS IDENTIFICATION

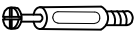

















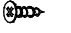



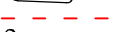

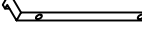




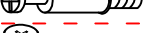

ITEM#: 182352



(1)	1pc	(9)	1pc	(17)	3pcs	(25)	4pcs
(2)	1pc	(10)	1pc	(18)	3pcs		
(3)	1pc	(11)	1pc	(19)	1pc		
(4)	1pc	(12)	2pcs	(20)	1pc		
(5)	1pc	(13)	1pc	(21)	1pc		
(6)	4pcs	(14)	1pc	(22)	1pc		
(7)	4pcs	(15)	1pc	(23)	1pc		
(8)	1pc	(16)	4pcs	(24)	1pc		

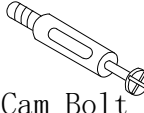

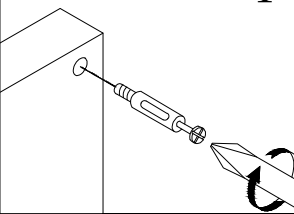
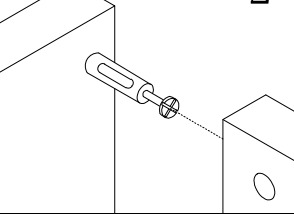
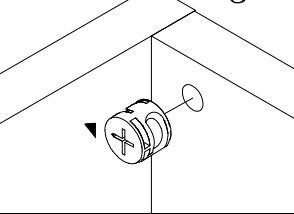
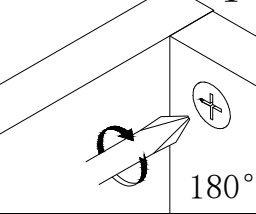
# HARDWARE IDENTIFICATION

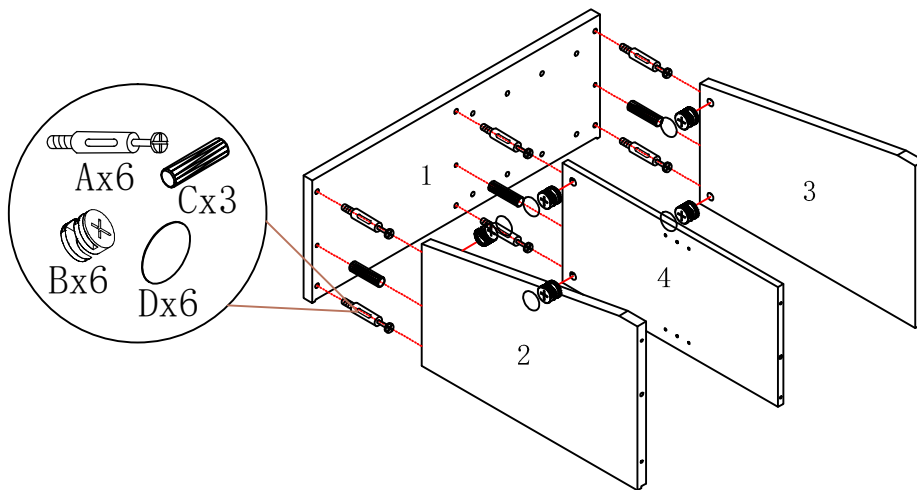
ITEM#: 182352

A		L29	16pcs
B		Φ 15	16pcs
C		Φ 8 x 25	18pcs
D		Φ 22	23pcs
E		7 x 48	8pcs
F		Φ 8 x Φ 16x2	12pcs
G		4 x 40	4pcs
H		M6 x 65	4pcs
I		M4	1pc
J		10 x 15	4pcs
K		Φ 13	4pcs
L		Φ 16	4pcs
M			60pcs
N		M6 x 35	8pcs
O			1pc
P		3 x 16	2pcs
Q		5 x 15	12pcs
R		6 x 30	3pcs
S			1pc
T		3 x 12	2pcs
U		96#	2pcs
V		4 x 22	4pcs
W			1pc
A1		4 x 30	4pcs
B1		L20	4pcs
C1		Φ 12	4pcs
D1		197×5×1	1pc
E1		12×12×1	2pcs
F1		Ø4X25	1pc
G1		Ø5X40	1pc
H1		Ø8X40	1pc

# ASSEMBLY INSTRUCTION

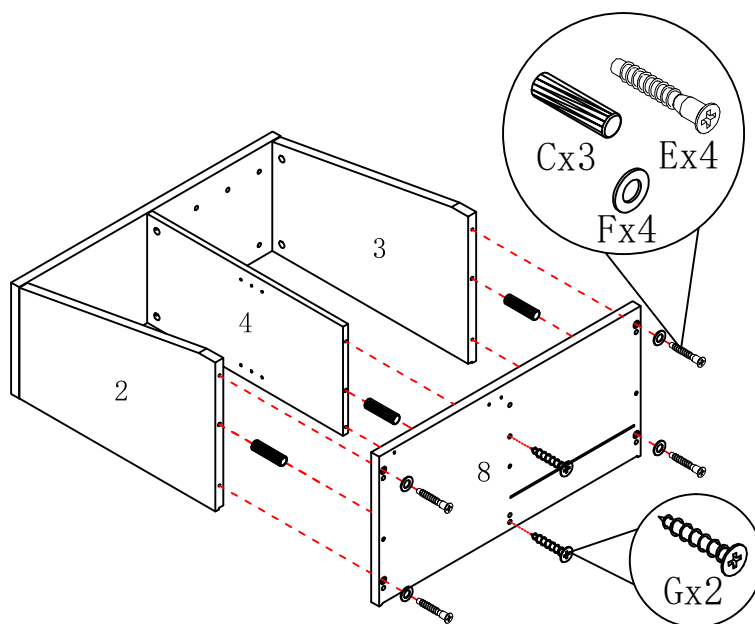
ITEM#: 182352

HOW TO	1	2	3	4
 Cam Bolt   Cam Lock				 180°
	1. Screw Cam Bolt into panel.	2. Insert Cam Bolt into bolt hole of joining panel.	3. Insert Cam Lock. arrow facing bolt.	4. Gently turn Cam Lock clockwise to lock position.



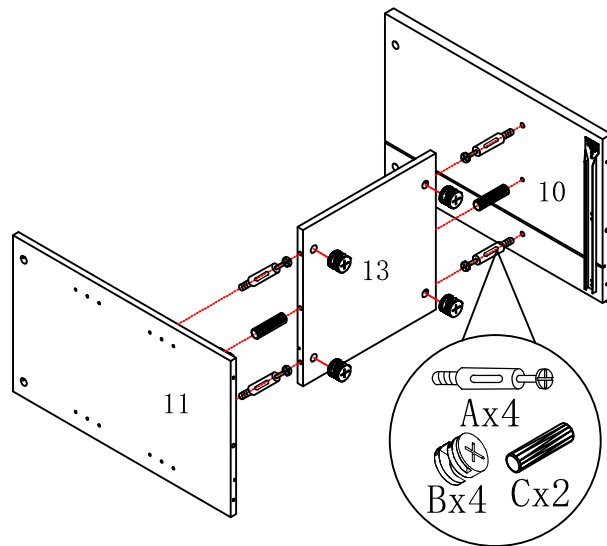
STEP1

STEP2



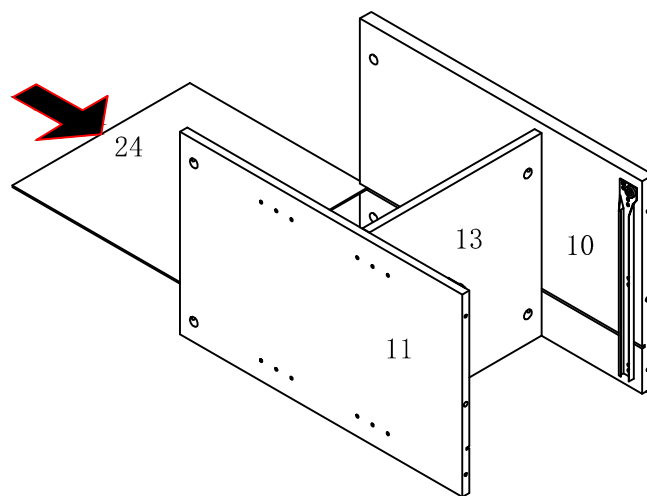
# ASSEMBLY INSTRUCTION

ITEM#: 182352



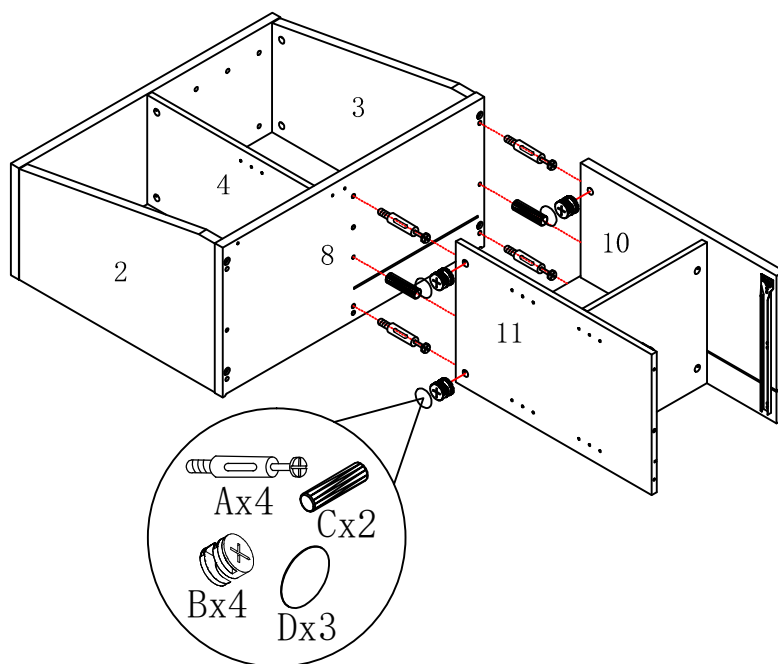
STEP3

STEP4



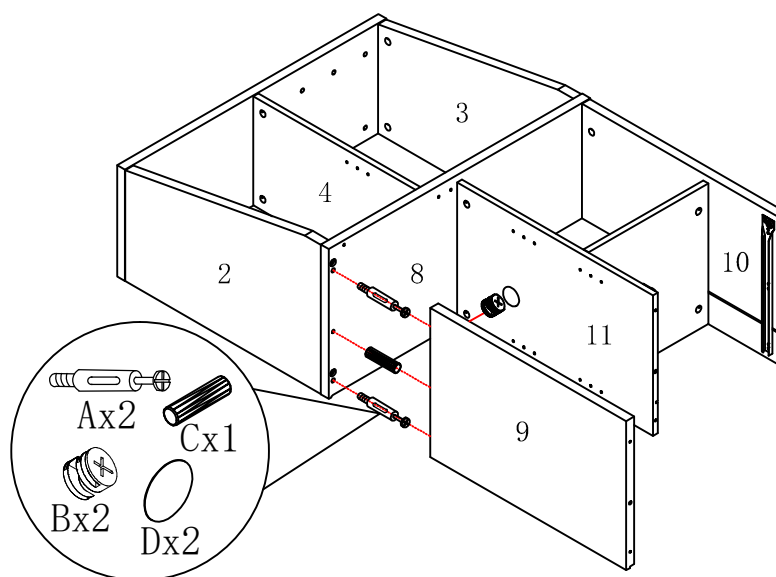
# ASSEMBLY INSTRUCTION

ITEM#: 182352



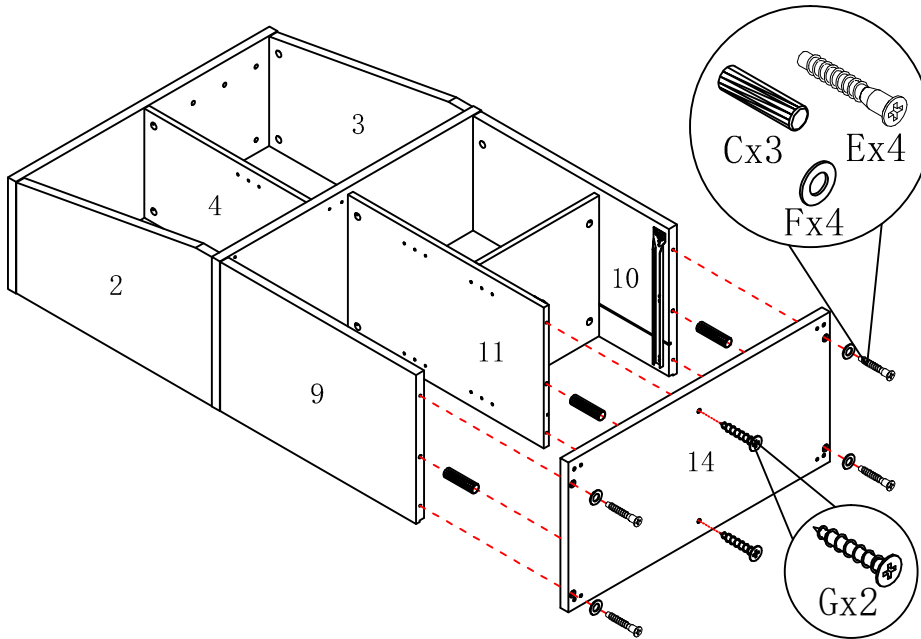
STEP5

STEP6



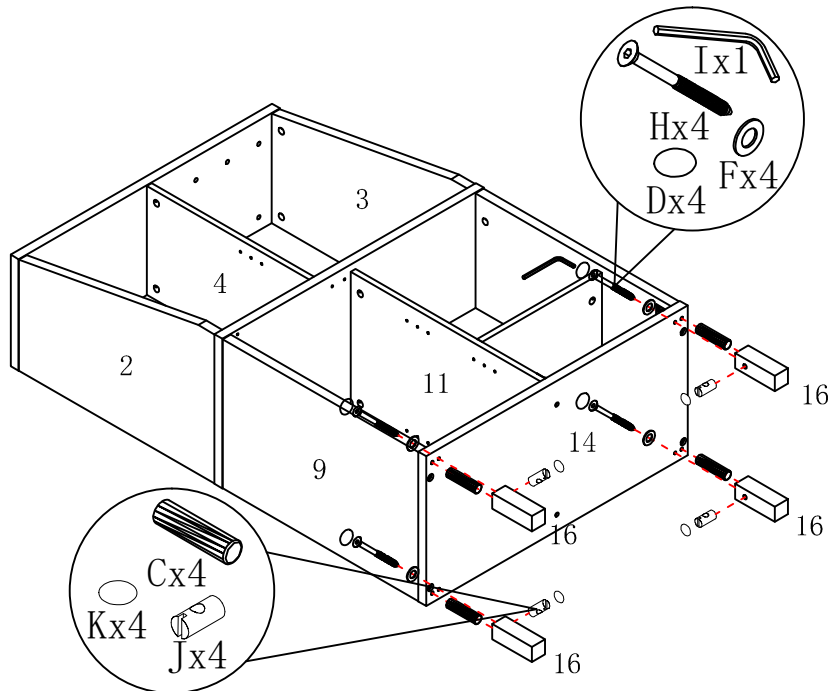
# ASSEMBLY INSTRUCTION

ITEM#: 182352



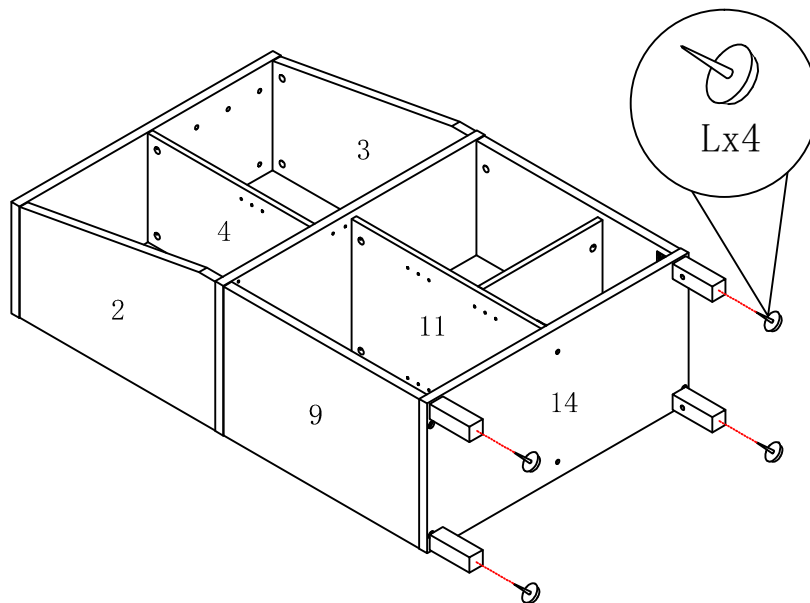
STEP7

STEP8



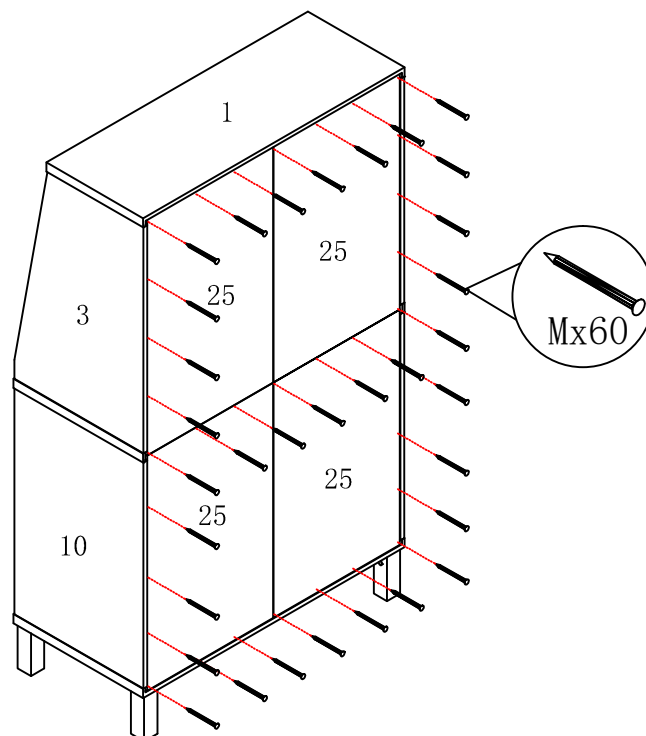
# ASSEMBLY INSTRUCTION

ITEM#: 182352



STEP9

STEP10

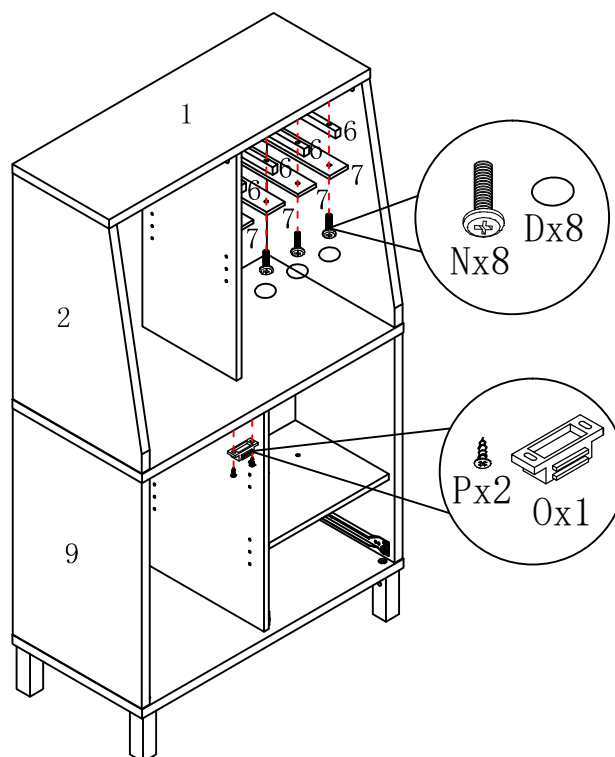


PAGE:8 OF 14



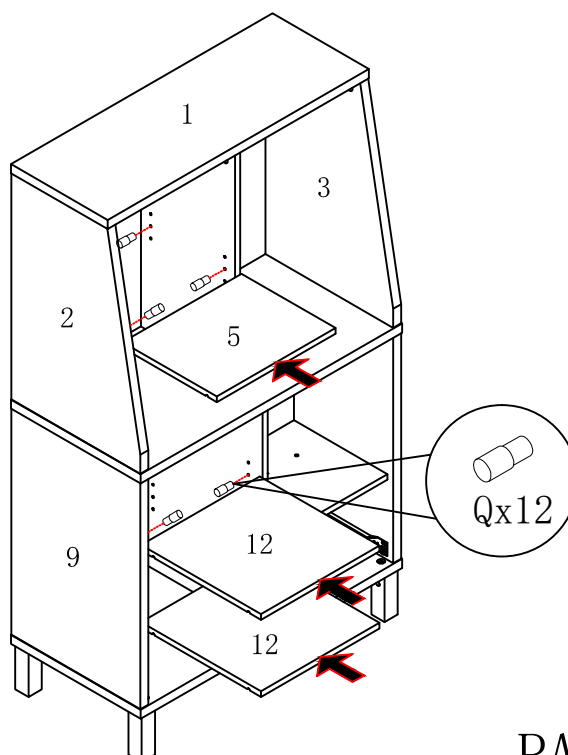
# ASSEMBLY INSTRUCTION

ITEM#: 182352



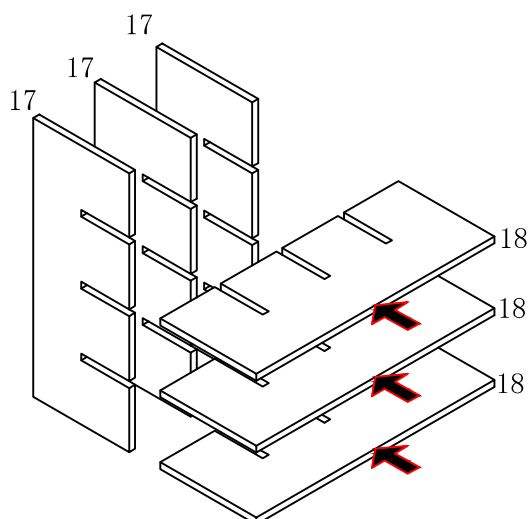
STEP11

STEP12



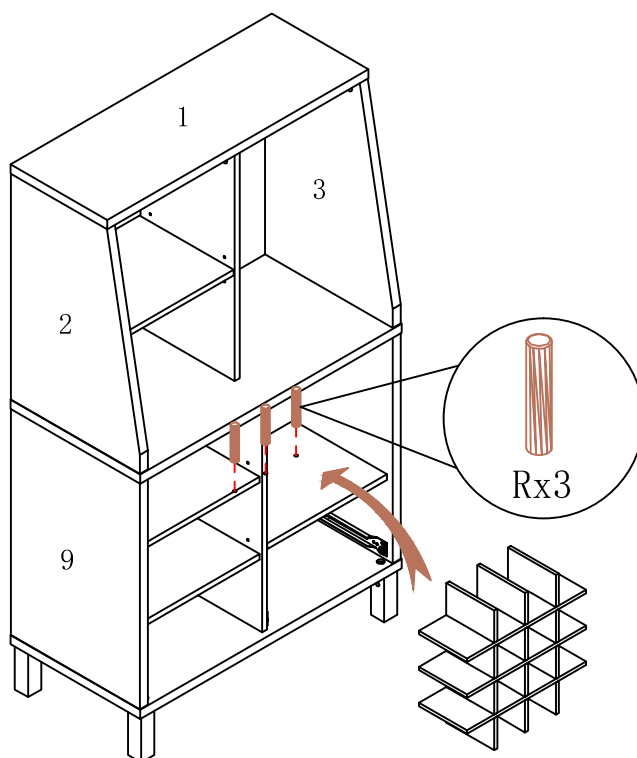
# ASSEMBLY INSTRUCTION

ITEM#: 182352



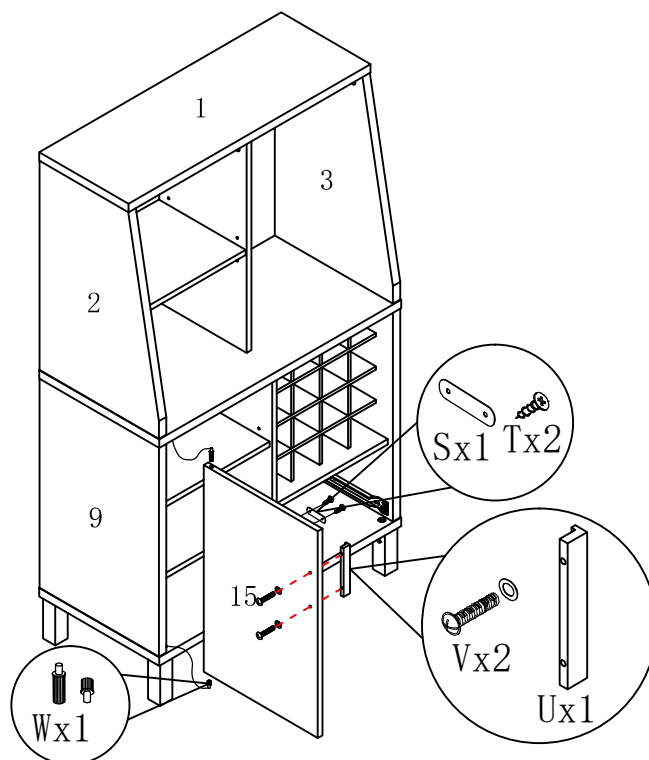
STEP13

STEP14



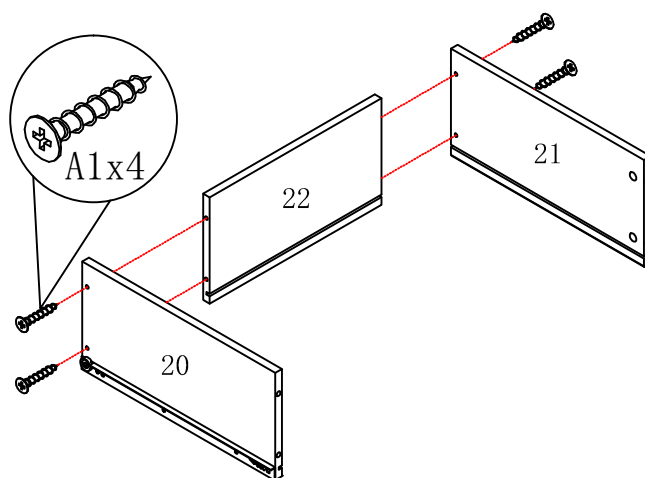
# ASSEMBLY INSTRUCTION

ITEM#: 182352



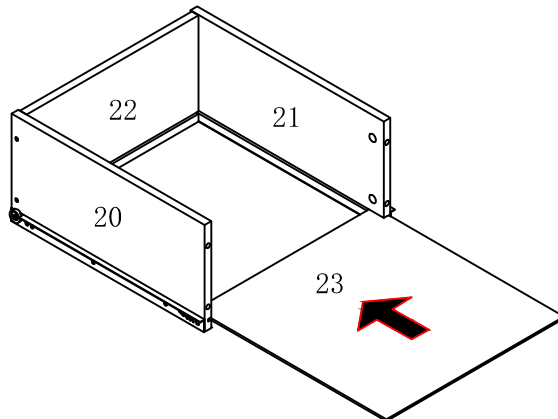
STEP15

STEP16



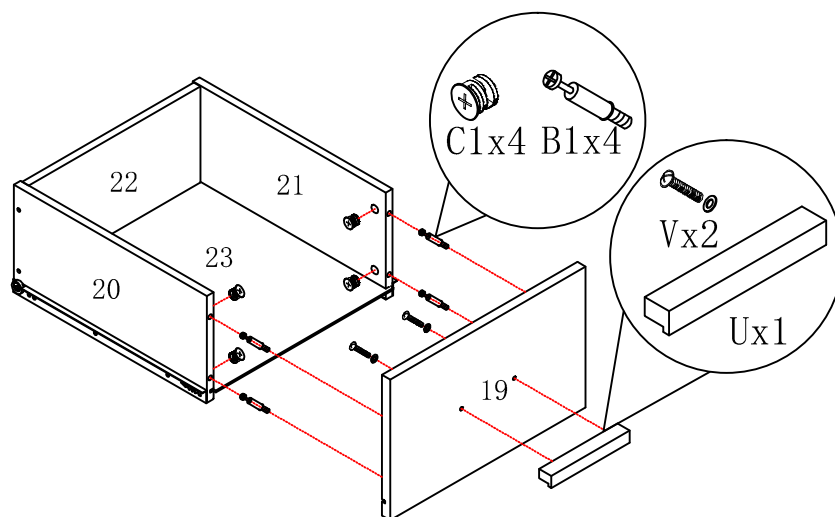
# ASSEMBLY INSTRUCTION

ITEM#: 182352



STEP17

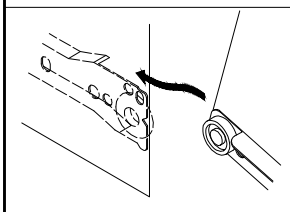
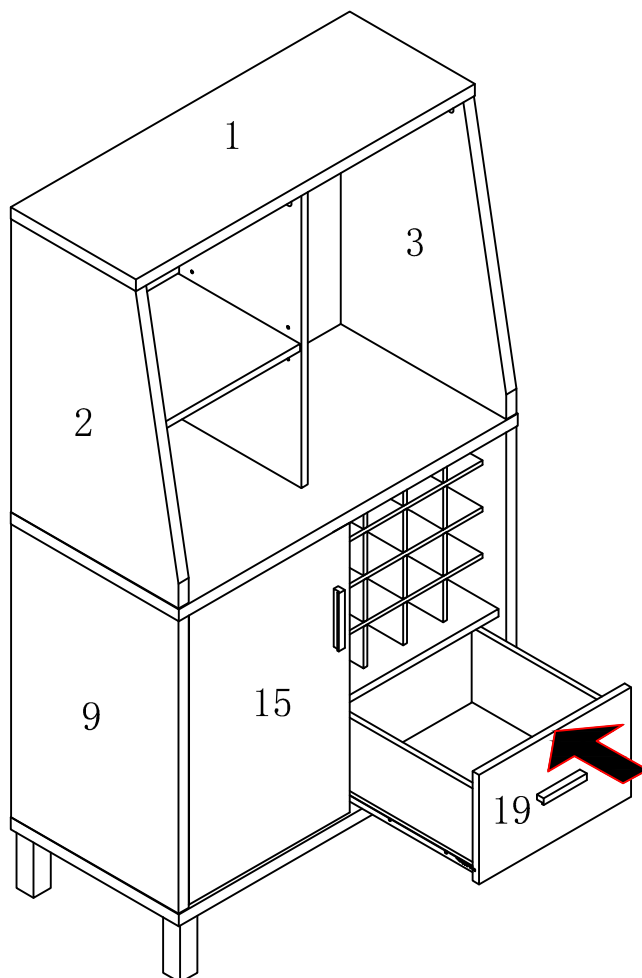
STEP18



# ASSEMBLY INSTRUCTION

ITEM#: 182352

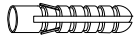
## STEP 19



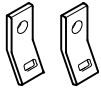
# ANTI-TIPPING STRAP INSTRUCTION

HARDWARE (INCLUDED) :

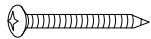
TOOLS NEEDED ( NOT INCLUDED) :



DRYWALL ANCHOR  $\phi 8 \times 40$  X 1PC



METAL BRACKETS  $12 \times 12 \times 1$  X 2PCS



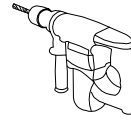
DRYWALL SCREW  $\phi 5 \times 40$  X 1PC



STRAP  $197 \times 5 \times 1$  X 1PC



FLATHEAD SCREW  $\phi 4 \times 25$  X 1PC



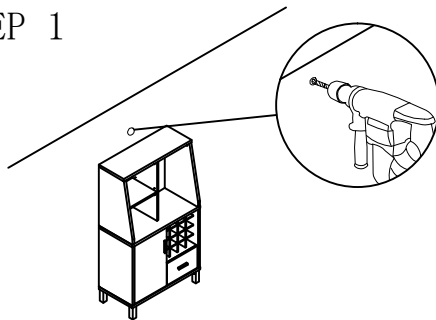
DRILL & DRILL BIT



LIGHT HAMMER

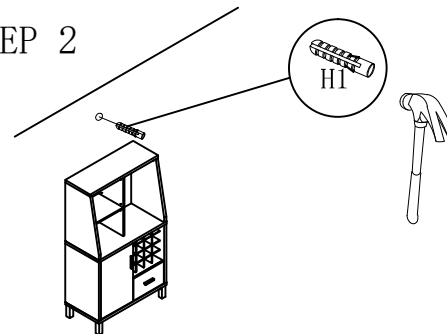
Note: Hardware included only compatible with standard drywalls.

## STEP 1



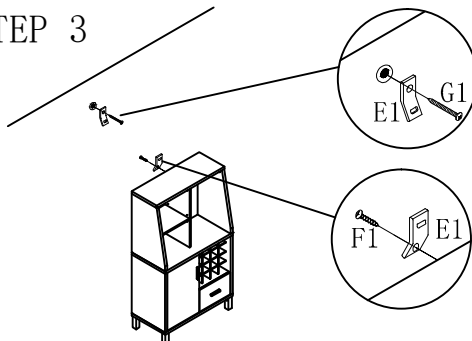
1. Find spot on wall 1" below top of item.
2. Using a drill bit slightly thinner than anchor, drill hole into drywall.

## STEP 2



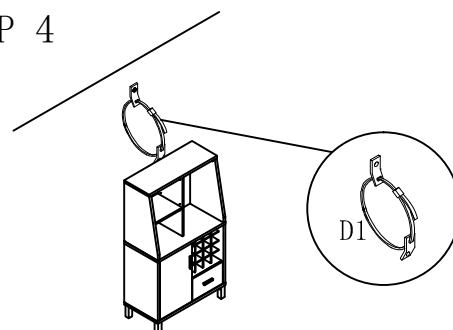
1. Use a light hammer to tap anchor into hole.
2. Anchor should fit snugly. If hole is too small, drill again to increase hole size. Do not force anchor into wall.

## STEP 3



1. Insert drywall screw into metal bracket and into drywall anchor.
2. Insert flathead screw into second metal bracket and into back of item, along top edge.

## STEP 4



1. Insert strap thru bracket attached to wall, then thru bracket on item, and into head of strap.
  2. pull lightly til strap stops.
- Assembly is complete.